

Site Dumpers

HT 1.0
HT 1.5
SW 1.5

NC
ENGINEERING





Clear dashboard layout



Twin lever control

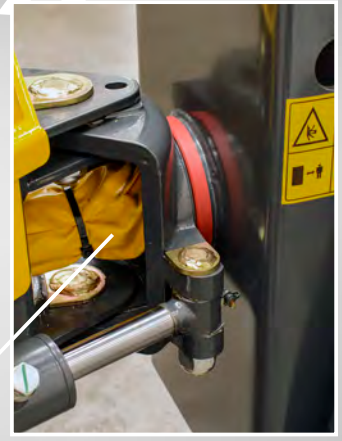
5mm Skip



Four wheel drive Twinlock system



Excellent service access



Fully adjustable seat with recoil safety belt

Protected hose lines

Heavy duty parallel linkage

Twin lift cylinders

Galvanised ergonomic steps



Unrivalled operator protection

Folding ROPS

Single pedal control

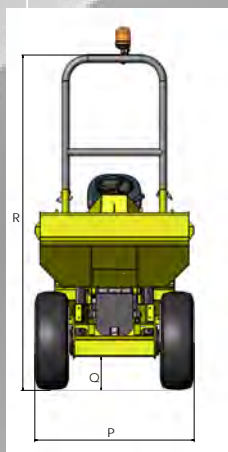
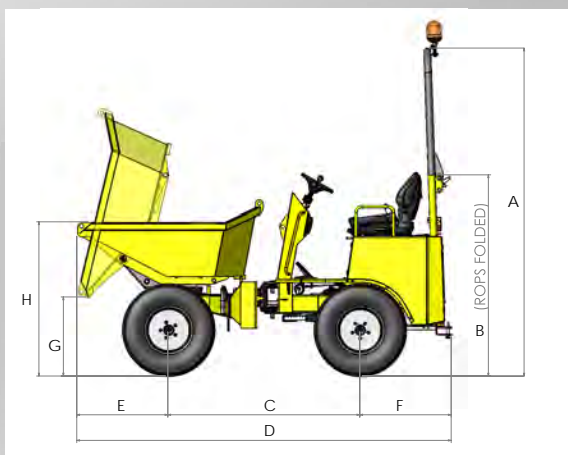
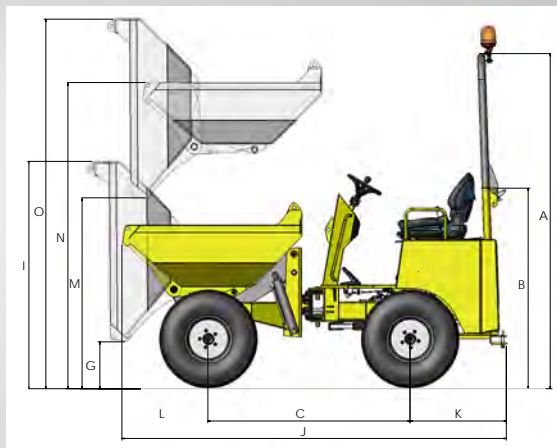


180° Swivel

Joystick control

Twin cylinder power swivel





STATIC DIMENSIONS in mm

	HT1.0	HT1.5	SW1.5
A	2718	2718	2718
B	1730	1731	1700
C	1502	1650	1650
D	3021	3136	3219
E	730	785	784
F	789	701	785
G	335	385	678
H	1246	1326	1322
I	1671	1849	2291
J	2762	3136	3219
K	789	785	785
L	471	701	784
M	1575	1546	N/A
N	2486	2486	N/A
O	3010	3010	N/A
P	1116	1300	1300
Q	271	271	272
R	2718	2718	2718



NC Engineering (Hamiltonsbawn) Ltd
 2 Killyrudden Road
 Hamiltonsbawn, Richhill
 Co. Armagh
 Northern Ireland
 BT61 9SF
 Tel: +44 (0) 28 38 871970
 Fax: +44 (0) 28 38 870362
 E-Mail: sales@nc-engineering.com
 Web: www.nc-engineering.com

CAPACITY:	HT1.0	HT1.5*	SW1.5*
Max. safe load:	1000kg	1500kg	1500kg
Unladen Weight:	1390kg	1495kg	1440kg
Heaped:	505L	805L	815L
Struck:	405L	600L	605L
Water:	300L	420L	480L

ENGINE:
 Kubota D1105
 Displacement: 1.1 L
 Max. power: 18.2kW/24.4bhp @ 3000 rpm
 Max. torque: 72Nm @ 2000 rpm
 Emissions to: (EU) 2016/1628

TRANSMISSION:
 Hydrostatic automotive "Twin Lock"
 Permanent 4 wheel drive
 Acceleration by foot pedal
 Braking hydrostatic retardation

DRIVE CHARACTERISTICS:
 Forward / Reverse 0-14 km/h(0-8.6 mph) 0-11km/h*(0-7mph*)
 Steering angle: +/- 36°
 Turning Circle: (HT1.0) 5.78m (HT,SW 1.5) 6.46m
 Gradeability: 50%
 Tyres: 10.0 / 75 / 15.3 (traction Profile)
 Steering: Priority load sensing
 Working brakes: Hydrostatic retardation
 Park brake: Automatic in rear wheel motors

NOISE LEVELS:
 LWA 99dB(A)
 LPA 82dB(A)

TANK CAPACITIES:
 Fuel: 28L
 Hydraulic: 24L

SKIP:
 Hydraulically operated tipping skip
 Heavy duty skip with 5mm thick steel

ELECTRICAL:
 Heavy duty H075 Battery: 12V, 550CCA, 60Ah
 Wiring harness in protective sleeving
 Reversing alarm

HYDRAULICS:
 Automotive control hydrostatic pump
 8cc Gear pump
 Hydraulic test points fitted as standard
 Easy access return oil filter on top of tank

SEATING & CONTROLS:
 Adjustable suspension seat
 Clear access across dumper
 Super bright instrument display
 Steel console for extra leg protection
 Column mounted directional control lever
 Anti-slip floor

SERVICE ACCESS:
 Easy access for service maintenance
 Lockable hinged engine cover
 Battery mounted inside the engine bay

Optional Extras

Base unit:

Hardox Skip
Special Colour RAL (yellow parts only)

Safety:

Green Light Seat belt warning System
Road lighting
7 pin Towing Socket
Scharmuller Tow Hitch
Wheel Choc
Mirrors

Tyres:

Narrow Access 700 x 12 (HT1.0 only)
Grass Pattern 10 X 75 X 15.3

Environment:

Panolin Bio in Lieu of HVI 46

Security:

Cesar Datatag
Telematic Tracking



Rev 3.0 - August 2019



NC Engineering (Hamiltonsbawn) Ltd
2 Killyrudden Road
Hamiltonsbawn, Richhill
Co. Armagh
Northern Ireland
BT61 9SF
Tel: +44 (0) 28 38 871970
Fax: +44 (0) 28 38 870362
E-Mail: sales@nc-engineering.com
Web: www.nc-engineering.com

www.nc-engineering.com